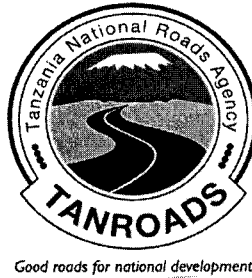


# TANZANIA NATIONAL ROADS AGENCY



P.O. Box 11364  
3<sup>rd</sup> Floor  
Airtel House  
Ali Hassan Mwinyi / Kawawa Roads  
Junction  
Dar es Salaam

Date: 18<sup>th</sup> December 2017

Our Ref: TRD/HQ/GEN/856/01

To: All Prospective Bidders

RE: REHABILITATION AND UPGRADING OF KIGOMA, TABORA, SHINYANGA AND SUMBAWANGA AIRPORTS; LOT 1: FURTHER REHABILITATION AND UPGRADING OF KIGOMA AIRPORT, TENDER NO. AE/001/2016-17/HQ/W/92

Sub: Clarification No. 2 and Addendum No. 2 to the Bidding Documents

Please refer to the above subject.

Pursuant to ITB Sub-Clause 7.1 and 8.1 of the Instructions to Bidders (ITB) of the Bidding Documents, TANROADS issues the attached **Clarification No. 2** and **Addendum No. 2** to the Bidding Documents.

Yours Sincerely,

Eng. Patrick A. L. Mfugale  
CHIEF EXECUTIVE

Encl: As stated

Tel: + 255 22 2926001/6

Fax: + 255 22 2926011

E-Mail: [tanroadshq@tanroads.go.tz](mailto:tanroadshq@tanroads.go.tz)

TANROADS is an Executive Agency of the Ministry of Works, Transport and Communication, Tanzania, established under the Executive Agencies Act, 1997

THE UNITED REPUBLIC OF TANZANIA

MINISTRY OF WORKS, TRANSPORT AND COMMUNICATION



Good roads for national development

REHABILITATION AND UPGRADING OF KIGOMA, TABORA, SHINYANGA AND  
SUMBAWANGA AIRPORTS; LOT 1: FURTHER REHABILITATION AND UPGRADING  
OF KIGOMA AIRPORT, TENDER NO. AE/001/2016-17/HQ/W/92

Clarification No. 2 to the Tender Documents

Date: 18 December 2017

Clarification No. 1 to the Tender Documents is issued in accordance with Clause 7.1 of the Instructions to Bidders (ITB) of the Tender Documents for Rehabilitation and Upgrading of Kigoma, Tabora, Shinyanga and Sumbawanga Airports; Lot 1: Further Rehabilitation and Upgrading of Kigoma Airport, Tender No. AE/001/2016-17/HQ/W/92

**QUESTION NO. 1:**

According to the Item ITB 15.1 of the Bid Data Sheet, "The currency(ies) of the bid and the payment currency(ies) shall be in accordance with the **Alternative B**" that establishes the unit rates and price quoted in the **Bill of Quantities** separately in two currencies - **Tanzanian Shillings and Euros**. However, we notice that the **Bill of Quantities** stated in the Tender documents, establishes only one rate (**TZS**), which is not in line with the requirement. Considering this discrepancy we believe that is more reasonable at this stage of the process that the bid and payment currency (ies) should be in accordance with **Alternative A**. Please consider the proposal.

**Response to Question No. 1**

*The observation has been noted, and addressed – Refer **Item Nos.1 and 2 of Addendum No. 2** dated 18<sup>th</sup> December 2017.*

**QUESTION NO. 2:**

Please provide the following missing drawings:

- (i) Electrical Drawings Nos. 102-3; 102-2-1 and 102-2;
- (ii) Airside Works: Drawings for filter drains with MPDE pipes with nominal bore 100mm/300mm/400mm;
- (iii) Airside Works: Drawings for precast concrete pipes (Class M) with nominal bore 900mm;

- (iv) Airside Works: Drawings for precast concrete manhole Type C with internal diameter 900mm/1050mm.

**Response to Question No. 2**

- (i) The details provided in the BOQ are adequate for bidding purposes. The mentioned drawings will be issued to the successful bidder during contract implementation.
- (ii) Requested drawings are attached herewith as Drawing Nos. 90322/4/C/290; 90322/4/C/291; 90322/4/C/292; 90322/4/C/293; and 90322/4/C/294 – refer **Appendix No. 1 to Clarification No. 2.**
- (iii) Please refer typical Drawing No. 90322/4/C/297 attached herewith – refer **Appendix No. 1 to Clarification No. 2.**
- (iv) Please refer typical Drawing No. 90322/4/C/296 attached herewith – refer **Appendix No. 1 to Clarification No. 2.**

**QUESTION NO. 3:**

As per Addendum No. 1 dated 6<sup>th</sup> December 2017, the revised tender submission date is 3<sup>rd</sup> January 2018. From December 22<sup>nd</sup> to January 8<sup>th</sup> is public holiday in Spain due to Christmas. Therefore, we kindly request possible further extension of the tender submission deadline by 30 days to enable us prepare our tender with maximum professionalism, quality and competitiveness.

**Response to Question No. 3**

*The cited reason is not strong enough to justify further extension of the tender submission deadline. The submission deadline remains 3<sup>rd</sup> January 2018, at 10:00 hours, local time.*

**QUESTION NO. 4:**

Section VIII: General Conditions, **Clause 14.1 – last paragraph** after Item (d) and Section IX Particular Conditions (PC) – Part B, Specific Provisions, **Sub-Clause 14.1:**

Specific Provision Clause 14.1 seems to be written for import of construction machineries (excavators, graders, dump trucks, etc.) but failed to address the import of airport equipment/material (airfield ground lighting & navigational aids equipment, terminal building communication equipment, airport baggage handling equipment, etc.):

- (a) Please clarify if Specific Provision Clause 14.1 is only valid for airport construction machinery.
- (b) In Specific Provision Clause 14.1, please consider insurance guarantee in lieu of export bond / bank guarantee.
- (c) Typically, it is not economically feasible to export the construction machinery after utilizing it on a construction project. The Contractor prefers to sell construction machinery in local market if there is no other project starting in that country. Please consider: (i) no import duties and taxes shall be due and payable to the Customs Authorities by the Contractor if construction machinery are exported, (ii) The Contractor/Local Buyer will pay the import duties and taxes based on the residual/salvage value of construction machinery if construction machinery remain in the country after completion of the Contract.

**Response to Question No. 4**

- (a) Yes. Specific Provision Clause 14.1 is only valid for airport construction machinery. Regarding custom duties and other taxes on airport equipment/material (airfield ground lighting & navigational aids equipment, terminal building communication equipment, airport baggage handling equipment, etc.), Bidders are advised to contact the Tanzania Revenue Authority for clarification at the address below.

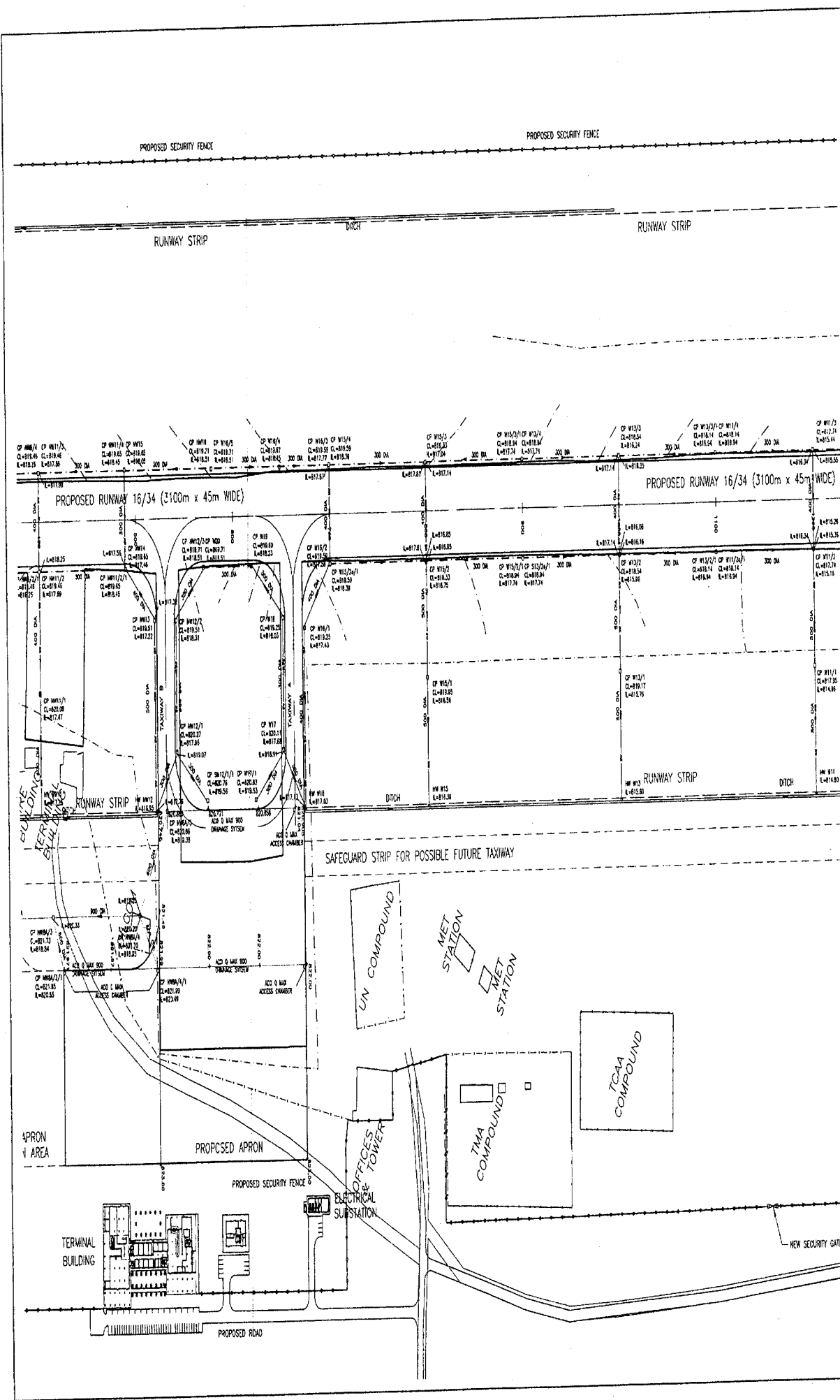
*"Information on the Contractor's tax liabilities in the Client's country can be found from;*

*The Commissioner General,  
Tanzania Revenue Authority (TRA),  
TRA Headquarters Building,  
Third Floor,  
28 Edward Sokoine Drive,  
11105 Mchafukoge, Ilala CBD,  
P. O. Box 11491,  
Dar Es Salaam.  
Telephone: +255 22 2119591-4  
Fax: +255 22 212 8593/6908  
Email: info@tra.go.tz  
website: www.tra.go.tz"*

- (b) The request cannot be accommodated.
- (c)[(i) & (ii)] Bidders should abide to the Bidding Requirements.

**Appendix No. 1 to Clarification No. 2**

**Missing Drawings**



**LEGEND:-**

- FULL EXISTING DITCH WITHIN RUNWAY STRIP
- CULVERT
- FILTER DRAIN
- PIPED SW DRAINAGE
- PETROL INTERCEPTION
- CATCH PIT
- HEAD WALL
- GULLY
- LINEAR DRAINAGE CHANNEL
- DIRECTION OF FLOW
- DITCH

NO.	DESCRIPTION	DATE
1	ISSUED FOR TENDER	15/12/2008
2	ISSUED FOR TENDER	22/12/2008
3	ISSUED FOR TENDER	29/12/2008
4	ISSUED FOR TENDER	05/01/2009
5	ISSUED FOR TENDER	12/01/2009
6	ISSUED FOR TENDER	19/01/2009
7	ISSUED FOR TENDER	26/01/2009
8	ISSUED FOR TENDER	02/02/2009
9	ISSUED FOR TENDER	09/02/2009
10	ISSUED FOR TENDER	16/02/2009
11	ISSUED FOR TENDER	23/02/2009
12	ISSUED FOR TENDER	01/03/2009
13	ISSUED FOR TENDER	08/03/2009
14	ISSUED FOR TENDER	15/03/2009
15	ISSUED FOR TENDER	22/03/2009
16	ISSUED FOR TENDER	29/03/2009
17	ISSUED FOR TENDER	05/04/2009
18	ISSUED FOR TENDER	12/04/2009
19	ISSUED FOR TENDER	19/04/2009
20	ISSUED FOR TENDER	26/04/2009
21	ISSUED FOR TENDER	03/05/2009
22	ISSUED FOR TENDER	10/05/2009
23	ISSUED FOR TENDER	17/05/2009
24	ISSUED FOR TENDER	24/05/2009
25	ISSUED FOR TENDER	31/05/2009
26	ISSUED FOR TENDER	07/06/2009
27	ISSUED FOR TENDER	14/06/2009
28	ISSUED FOR TENDER	21/06/2009
29	ISSUED FOR TENDER	28/06/2009
30	ISSUED FOR TENDER	05/07/2009
31	ISSUED FOR TENDER	12/07/2009
32	ISSUED FOR TENDER	19/07/2009
33	ISSUED FOR TENDER	26/07/2009
34	ISSUED FOR TENDER	02/08/2009
35	ISSUED FOR TENDER	09/08/2009
36	ISSUED FOR TENDER	16/08/2009
37	ISSUED FOR TENDER	23/08/2009
38	ISSUED FOR TENDER	30/08/2009
39	ISSUED FOR TENDER	06/09/2009
40	ISSUED FOR TENDER	13/09/2009
41	ISSUED FOR TENDER	20/09/2009
42	ISSUED FOR TENDER	27/09/2009
43	ISSUED FOR TENDER	04/10/2009
44	ISSUED FOR TENDER	11/10/2009
45	ISSUED FOR TENDER	18/10/2009
46	ISSUED FOR TENDER	25/10/2009
47	ISSUED FOR TENDER	01/11/2009
48	ISSUED FOR TENDER	08/11/2009
49	ISSUED FOR TENDER	15/11/2009
50	ISSUED FOR TENDER	22/11/2009
51	ISSUED FOR TENDER	29/11/2009
52	ISSUED FOR TENDER	06/12/2009
53	ISSUED FOR TENDER	13/12/2009
54	ISSUED FOR TENDER	20/12/2009
55	ISSUED FOR TENDER	27/12/2009
56	ISSUED FOR TENDER	03/01/2010
57	ISSUED FOR TENDER	10/01/2010
58	ISSUED FOR TENDER	17/01/2010
59	ISSUED FOR TENDER	24/01/2010
60	ISSUED FOR TENDER	31/01/2010
61	ISSUED FOR TENDER	07/02/2010
62	ISSUED FOR TENDER	14/02/2010
63	ISSUED FOR TENDER	21/02/2010
64	ISSUED FOR TENDER	28/02/2010
65	ISSUED FOR TENDER	06/03/2010
66	ISSUED FOR TENDER	13/03/2010
67	ISSUED FOR TENDER	20/03/2010
68	ISSUED FOR TENDER	27/03/2010
69	ISSUED FOR TENDER	03/04/2010
70	ISSUED FOR TENDER	10/04/2010
71	ISSUED FOR TENDER	17/04/2010
72	ISSUED FOR TENDER	24/04/2010
73	ISSUED FOR TENDER	01/05/2010
74	ISSUED FOR TENDER	08/05/2010
75	ISSUED FOR TENDER	15/05/2010
76	ISSUED FOR TENDER	22/05/2010
77	ISSUED FOR TENDER	29/05/2010
78	ISSUED FOR TENDER	05/06/2010
79	ISSUED FOR TENDER	12/06/2010
80	ISSUED FOR TENDER	19/06/2010
81	ISSUED FOR TENDER	26/06/2010
82	ISSUED FOR TENDER	03/07/2010
83	ISSUED FOR TENDER	10/07/2010
84	ISSUED FOR TENDER	17/07/2010
85	ISSUED FOR TENDER	24/07/2010
86	ISSUED FOR TENDER	31/07/2010
87	ISSUED FOR TENDER	07/08/2010
88	ISSUED FOR TENDER	14/08/2010
89	ISSUED FOR TENDER	21/08/2010
90	ISSUED FOR TENDER	28/08/2010
91	ISSUED FOR TENDER	04/09/2010
92	ISSUED FOR TENDER	11/09/2010
93	ISSUED FOR TENDER	18/09/2010
94	ISSUED FOR TENDER	25/09/2010
95	ISSUED FOR TENDER	02/10/2010
96	ISSUED FOR TENDER	09/10/2010
97	ISSUED FOR TENDER	16/10/2010
98	ISSUED FOR TENDER	23/10/2010
99	ISSUED FOR TENDER	30/10/2010
100	ISSUED FOR TENDER	06/11/2010
101	ISSUED FOR TENDER	13/11/2010
102	ISSUED FOR TENDER	20/11/2010
103	ISSUED FOR TENDER	27/11/2010
104	ISSUED FOR TENDER	04/12/2010
105	ISSUED FOR TENDER	11/12/2010
106	ISSUED FOR TENDER	18/12/2010
107	ISSUED FOR TENDER	25/12/2010
108	ISSUED FOR TENDER	01/01/2011
109	ISSUED FOR TENDER	08/01/2011
110	ISSUED FOR TENDER	15/01/2011
111	ISSUED FOR TENDER	22/01/2011
112	ISSUED FOR TENDER	29/01/2011
113	ISSUED FOR TENDER	05/02/2011
114	ISSUED FOR TENDER	12/02/2011
115	ISSUED FOR TENDER	19/02/2011
116	ISSUED FOR TENDER	26/02/2011
117	ISSUED FOR TENDER	05/03/2011
118	ISSUED FOR TENDER	12/03/2011
119	ISSUED FOR TENDER	19/03/2011
120	ISSUED FOR TENDER	26/03/2011
121	ISSUED FOR TENDER	02/04/2011
122	ISSUED FOR TENDER	09/04/2011
123	ISSUED FOR TENDER	16/04/2011
124	ISSUED FOR TENDER	23/04/2011
125	ISSUED FOR TENDER	30/04/2011
126	ISSUED FOR TENDER	07/05/2011
127	ISSUED FOR TENDER	14/05/2011
128	ISSUED FOR TENDER	21/05/2011
129	ISSUED FOR TENDER	28/05/2011
130	ISSUED FOR TENDER	04/06/2011
131	ISSUED FOR TENDER	11/06/2011
132	ISSUED FOR TENDER	18/06/2011
133	ISSUED FOR TENDER	25/06/2011
134	ISSUED FOR TENDER	02/07/2011
135	ISSUED FOR TENDER	09/07/2011
136	ISSUED FOR TENDER	16/07/2011
137	ISSUED FOR TENDER	23/07/2011
138	ISSUED FOR TENDER	30/07/2011
139	ISSUED FOR TENDER	06/08/2011
140	ISSUED FOR TENDER	13/08/2011
141	ISSUED FOR TENDER	20/08/2011
142	ISSUED FOR TENDER	27/08/2011
143	ISSUED FOR TENDER	03/09/2011
144	ISSUED FOR TENDER	10/09/2011
145	ISSUED FOR TENDER	17/09/2011
146	ISSUED FOR TENDER	24/09/2011
147	ISSUED FOR TENDER	01/10/2011
148	ISSUED FOR TENDER	08/10/2011
149	ISSUED FOR TENDER	15/10/2011
150	ISSUED FOR TENDER	22/10/2011
151	ISSUED FOR TENDER	29/10/2011
152	ISSUED FOR TENDER	05/11/2011
153	ISSUED FOR TENDER	12/11/2011
154	ISSUED FOR TENDER	19/11/2011
155	ISSUED FOR TENDER	26/11/2011
156	ISSUED FOR TENDER	03/12/2011
157	ISSUED FOR TENDER	10/12/2011
158	ISSUED FOR TENDER	17/12/2011
159	ISSUED FOR TENDER	24/12/2011
160	ISSUED FOR TENDER	31/12/2011

Drawing Status: Preliminary  Tender  Contract

**Sir Frederick Snow & Partners Ltd.**  
CONSULTING ENGINEERS  
2ND FLOOR  
17 LAURENCE ROAD  
DUBLIN, D02 X027

In Association with:  
**BELVA CONSULT LIMITED**  
P.O. BOX 75012  
INDONESIA AREA  
ROSE-ARSEN ROAD  
DAR ES SALAM  
Tel: +255-22-2770910  
Fax: +255-22-2770918  
Email: info@belva.co.tz

Client:  
**TANZANIA AIRPORT AUTHORITY**  
P.O. BOX 6000  
JILUSI WILDRICE INTERNATIONAL AIRPORT  
TERMINAL ONE  
TAA HEAD OFFICE BUILDING  
P.O. BOX 24000  
DAR ES SALAM  
TANZANIA

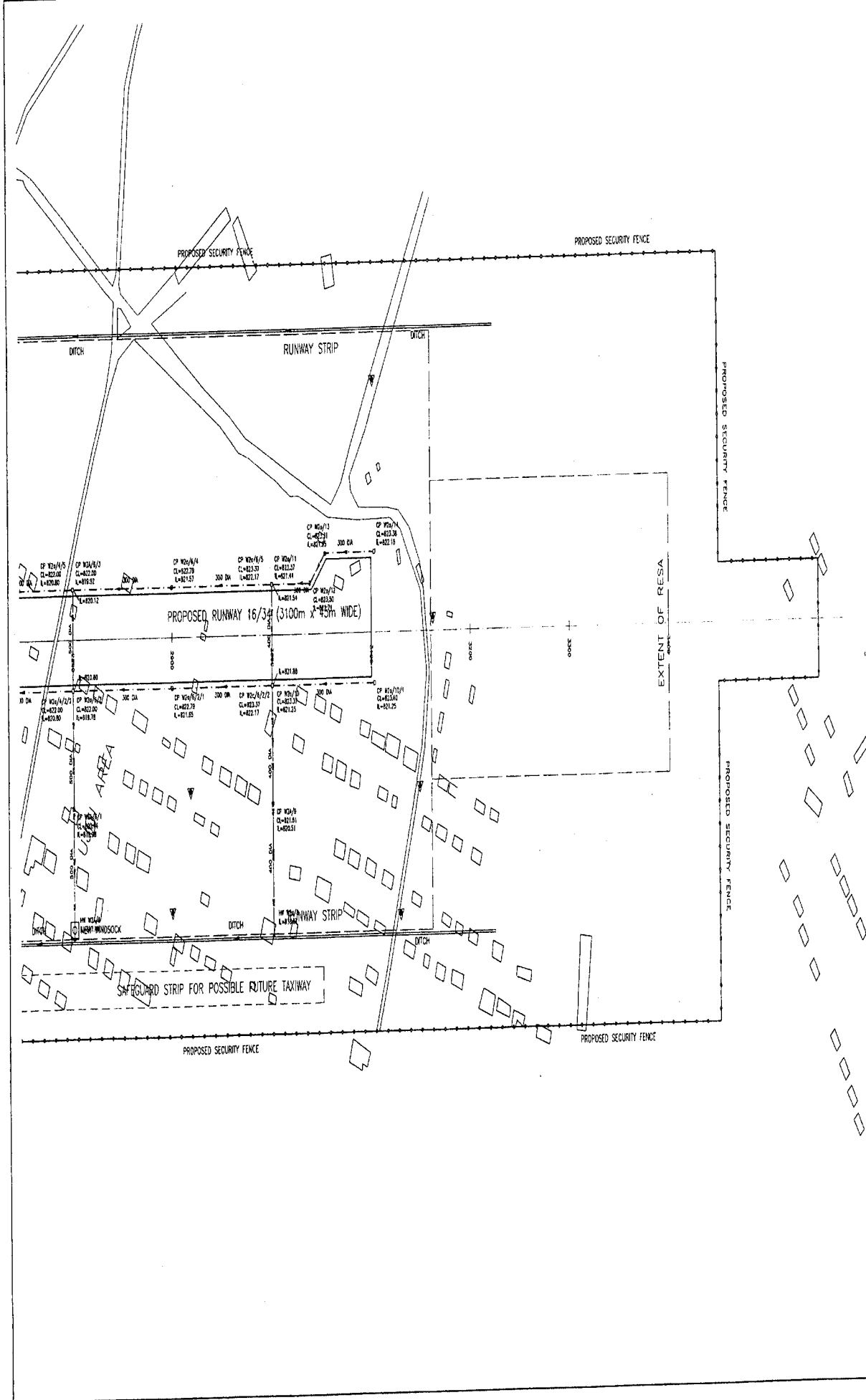
Project Title:  
**REHABILITATION & UPGRADE OF  
KIGOMA AIRPORT**  
Drawing Title:  
**PROPOSED SURFACE WATER  
DRAINAGE  
SHEET 2 OF 5**

Drawn by: M  
Checked by: R  
Date: 10/02/09  
Scale: 1:1000 @ A  
Date: 10/02/09  
Date for Special Dimensions:  
DRG No.: 90322/4/C/291









- LEGEND-**
- FEL EXISTING DITCH WITHIN ROWWAY STRIP
  - ..... CULVERT
  - - - - FILTER DRAIN
  - PIPED SW DRAINAGE
  - ▭ PETROL INTERCEPTOR
  - CATCH PIT
  - ◌ HEAD WALL
  - ◊ GULLY
  - LINEAR DRAINAGE CHANNEL
  - ▶ DIRECTION OF FLOW
  - DITCH

ISSUED FOR TENDERS	15 OCT 2008
DATE OF ISSUE	15 OCT 2008
SCALE	AS SHOWN

Drainage Status:  Preliminary  Final  Corrected

**Sir Frederick Snow & Partners Ltd.**  
CONSULTING ENGINEERS  
8TH FLOOR  
17 LINDSAY ROAD  
CAROLINE, UYO, NIGERIA

TEL: 001 804 8699  
FAX: 001 804 8077  
Email: psf@psf.com

In Association with  
**BELVA CONSULT LIMITED**

P.O. BOX 15202  
MIRICHA AREA  
P.O. BOX 60000  
DAR ES SALAAM

TEL: +255-22-277590  
FAX: +255-22-277591  
Email: belvaltd@com.net

Client:  
**TANZANIA AIRPORT AUTHORITY**

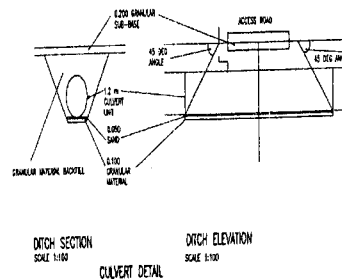
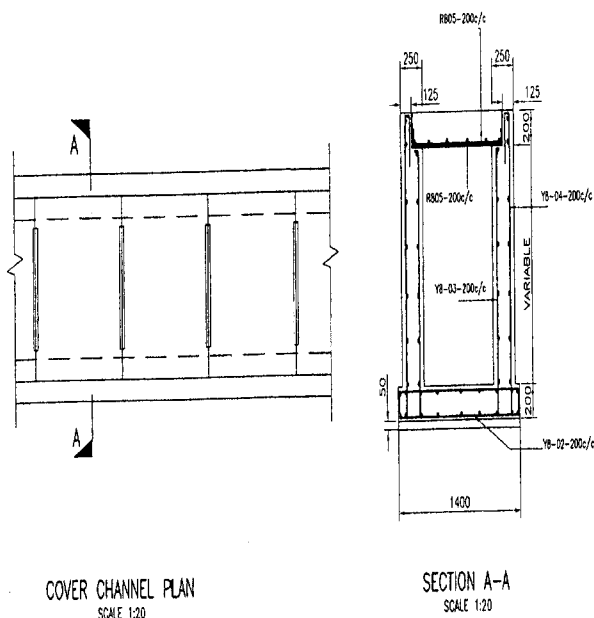
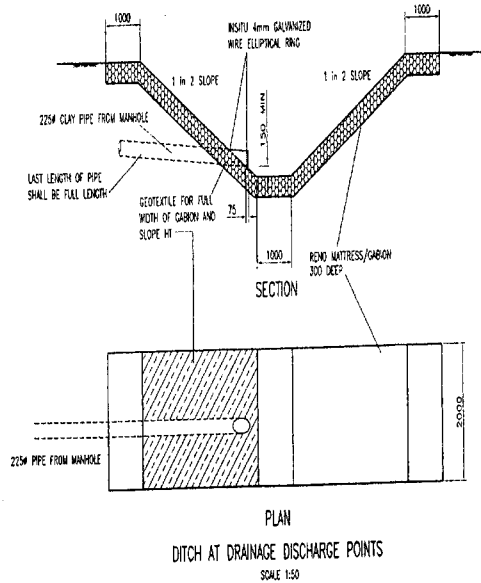
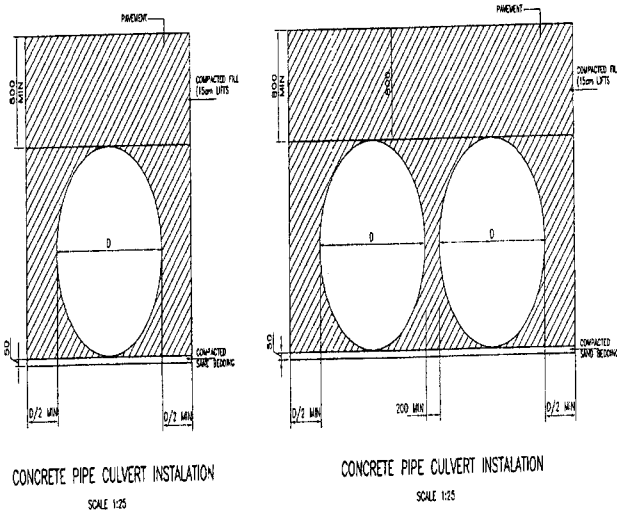
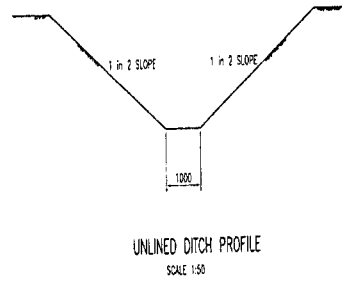
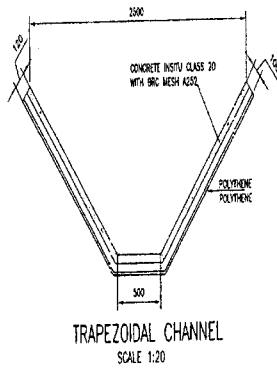
P.O. BOX 18000  
JESUITS MEMORIAL INTERNATIONAL AIRPORT  
TERMINAL ONE  
TAN-HEAD OFFICE BUILDING  
DAR ES SALAAM  
TANZANIA

Project Title:  
**REHABILITATION & UPGRADE OF  
KIGOMA AIRPORT**

Drawing Title:  
**PROPOSED SURFACE WATER  
DRAINAGE  
SHEET 5 OF 5**

Drawn by: **MM** Scale: 1:1000 N.A.T.  
Checked by: **PH** CAD File:  
Date: 10.02.08 (check to confirm dimensions)

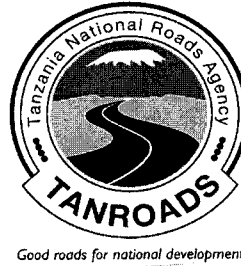
DRG No: **90322/4/C/294**



FINAL DESIGN	MS/CC/MS/MS
ISSUED FOR TENDER	ES/CC/PEB/ES
Rev. Description	Rev. Date
Drawing Status: Preliminary <input type="checkbox"/> Tender <input checked="" type="checkbox"/> Contract/Construction <input type="checkbox"/>	
Sir Frederick Snow & Partners Ltd. CONSULTING ENGINEERS	
8th FLOOR 17 LAKEVIEW ROAD CHIFCHO, DAR ES SALAAM	
Tel: 223 8034 8888 Fax: 223 8034 8877 Email: info@sfsworld.co.uk	
In Association with: BELVA CONSULT LIMITED	
P.O. BOX 75712 MACHAKOS AREA BOISE-GARDEN ROAD DAR ES SALAAM	
Tel: +255-22-2779910 Fax: +255-22-2779910 Email: info@belva.co.tz	
Client: TANZANIA AIRPORT AUTHORITY	
P.O. BOX 18300 JILINDA OVERSEAS INTERNATIONAL AIRPORT TERMINAL ONE TIA HEAD OFFICE BUILDING, DAR ES SALAAM TANZANIA	
Project Title: REHABILITATION & UPGRADE OF KICOMA AIRPORT	
Drawing Title: DRAINAGE DITCHES CULVERT AND COVERED CHANNEL DETAILS SHEET 1 OF 1	
Drawn by: ES	Scale: AS SHOWN AT
Checked by: CC	CAD File:
Date: 05.02.08	(not to signed dimensions)
DRG No.: 90322/4/C/297	



**THE UNITED REPUBLIC OF TANZANIA**  
**MINISTRY OF WORKS, TRANSPORT AND COMMUNICATION**



**TENDER NO. AE/001/2016-17/HQ/W/92**

**FOR**

**REHABILITATION AND UPGRADING OF KIGOMA, TABORA, SHINYANGA AND SUMBAWANGA AIRPORTS; LOT 1: FURTHER REHABILITATION AND UPGRADING OF KIGOMA AIRPORT**

**Addendum No. 2 to the Bidding Documents**

Date: 18<sup>th</sup> December 2017

Addendum No. 2 to the bidding documents is issued in accordance with Instructions to Bidders, Clause 8.1 to effect changes to the various sections of bidding documents.

**Item No. 1**

**Section II: Bid Data Sheet; Page 28 - 29**

**Replace:**

<b>ITB 15.1</b>	<p>The currency(ies) of the bid and the payment currency(ies) shall be in accordance with <b>Alternative B</b> as described below:</p> <p><b>Alternative A (Bidders to quote entirely in local currency):</b></p> <p>(a) The unit rates and the prices shall be quoted by the Bidder in the Bill of Quantities, entirely in <b>Tanzanian Shillings</b>, the name of the currency of the Employer's country, and further referred to as "the local currency". A Bidder expecting to incur expenditures in other currencies for inputs to the Works supplied from outside the Employer's country (referred to as "the foreign currency requirements") shall indicate in the Appendix to Bid - Table C, the percentage(s) of the Bid Price (excluding Provisional Sums), needed by the Bidder for the payment of such foreign currency requirements, limited to no more than three foreign currencies.</p> <p>(b) The rates of exchange to be used by the Bidder in arriving at the local currency equivalent and the percentage(s) mentioned in (a) above shall be specified by the Bidder in the Appendix to Bid - Table C, and shall apply for all payments under the Contract so that no exchange risk will be borne by the successful Bidder.</p> <p>(c) Bidders shall be required by the Employer to justify, to the Employer's satisfaction, their local and foreign currency requirements, and to</p>
-----------------	--

	<p>substantiate that the amounts included in the unit rates and prices shown in the Schedule of Adjustment Data, furnished in Section IV. Bidding Forms are reasonable, in which case a detailed breakdown of the foreign currency requirements shall be provided by the Bidders. In case the Bidder changes sources of Goods and Materials for the project the Employer will have the right to change proportions of foreign currencies and accordingly the Contractor will be required to revise indices.</p> <p><b>Alternative B (Bidders allowed to quote in local and foreign currencies):</b></p> <p>(a) The unit rates and prices shall be quoted by the Bidder in the Bill of Quantities separately in the following currencies:</p> <p>(i) for those inputs to the Works that the Bidder expects to supply from within the Employer's country, in Tanzanian Shillings, the name of the currency of the Employer's country, and further referred to as "the local currency"; and</p> <p>(ii) for those inputs to the Works that the Bidder expects to supply from outside the Employer's country (referred to as "the foreign currency requirements"), <b>is Euro</b></p>
--	---

**With**

<p>ITB 15.1</p>	<p><b>Alternative A (Bidders to quote entirely in local currency):</b></p> <p>(a) The unit rates and the prices shall be quoted by the Bidder in the Bill of Quantities, entirely in <b>Tanzanian Shillings</b>, the name of the currency of the Employer's country, and further referred to as "the local currency". A Bidder expecting to incur expenditures in other currencies for inputs to the Works supplied from outside the Employer's country (referred to as "the foreign currency requirements") shall indicate in the Appendix to Bid - Table C, the percentage(s) of the Bid Price (excluding Provisional Sums), needed by the Bidder for the payment of such foreign currency requirements, limited to no more than three foreign currencies.</p> <p>(b) The rates of exchange to be used by the Bidder in arriving at the local currency equivalent and the percentage(s) mentioned in (a) above shall be specified by the Bidder in the Appendix to Bid - Table C, and shall apply for all payments under the Contract so that no exchange risk will be borne by the successful Bidder.</p> <p>(c) Bidders shall be required by the Employer to justify, to the Employer's satisfaction, their local and foreign currency requirements, and to substantiate that the amounts included in the unit rates and prices shown in the Schedule of Adjustment Data, furnished in Section IV. Bidding Forms are reasonable, in which case a detailed breakdown of the foreign currency requirements shall be provided by the Bidders. In case the Bidder changes sources of Goods and Materials for the project the Employer will have the right to change proportions of foreign currencies and accordingly the Contractor will be required to revise indices.</p>
-----------------	--

**Item No. 2**

**Section II: Bid Data Sheet; Page 30 - 31**

**Replace:**

<b>ITB 32.1</b>	<p>The currency that shall be used for bid evaluation and comparison purposes to convert all bid prices expressed in various currencies into a single currency is <b>Tanzanian Shilling</b></p> <p>The source of exchange rate shall be: <b>Bank of Tanzania (BOT)</b>.</p> <p>The date for the exchange rate shall be: <b>28 days prior to the deadline for submission of the Bids</b></p> <p>The currency(ies) of the Bid shall be converted into a single currency in accordance with the procedure under <b>Alternative B</b> that follows:</p> <p><b>Alternative A: Bidders quote entirely in local currency</b></p> <p>For comparison of bids, the Bid Price, corrected pursuant to Clause 31, shall first be broken down into the respective amounts payable in various currencies by using the exchange rates specified by the bidder in accordance with Sub-Clause 15.1.</p> <p>In the second step, the Employer will convert the amounts in various currencies in which the Bid Price is payable (excluding Provisional Sums but including Daywork where priced competitively) to the single currency identified above at the selling rates established for similar transactions by the authority specified and on the date stipulated above.</p> <p><b>OR</b></p> <p><b>Alternative B: Bidders quote in local and foreign currencies</b></p> <p>The Employer will convert the amounts in various currencies in which the Bid Price, corrected pursuant to Clause 31, is payable (excluding Provisional Sums but including Daywork where priced competitively) to the single currency identified above at the selling rates established for similar transactions by the authority specified and on the date stipulated above.</p>
-----------------	---

**With**

<b>ITB 32.1</b>	<p>The currency that shall be used for bid evaluation and comparison purposes to convert all bid prices expressed in various currencies into a single currency is <b>Tanzanian Shilling</b></p> <p>The source of exchange rate shall be: <b>Bank of Tanzania (BOT)</b>.</p> <p>The date for the exchange rate shall be: <b>28 days prior to the deadline for submission of the Bids</b></p> <p>The currency(ies) of the Bid shall be converted into a single currency in accordance with the procedure under <b>Alternative A</b> that follows:</p> <p><b>Alternative A: Bidders quote entirely in local currency</b></p> <p>For comparison of bids, the Bid Price, corrected pursuant to Clause 31, shall first be broken down into the respective amounts payable in various currencies by using the exchange rates specified by the bidder in</p>
-----------------	--

	<p>accordance with Sub-Clause 15.1.</p> <p>In the second step, the Employer will convert the amounts in various currencies in which the Bid Price is payable (excluding Provisional Sums but including Daywork where priced competitively) to the single currency identified above at the selling rates established for similar transactions by the authority specified and on the date stipulated above.</p>
--	---

### **Item No. 3**

#### **Section III: Evaluation and Qualification Criteria (without prequalification)**

##### **Page 38; Sub-criteria 3.2:**

The amount "TShs. 26 million" in the 2<sup>nd</sup> column is corrected to read "TShs. 26 billion".

### **Item No. 4**

##### **Page 39 – 40; Sub-criteria 4.2 (b):**

- The quantities for activity (a) in the 3<sup>rd</sup> column (5,000 tonnes) and 7<sup>th</sup> column (15,000) tonnes, should be interchanged.
- The quantities for activity (b) in the 3<sup>rd</sup> column (50,000 cu.m.) and 7<sup>th</sup> column (150,000) tonnes, should be interchanged.

### **Item No. 5**

#### **Section IV: Bidding Forms**

Replace Pages 44 to 50 in connection with the Letter of Bid and Appendix to Bid with those attached herewith as **Appendix No. 1 to Addendum No. 2**.

**Appendix No. 1 to Addendum No. 2**

**Revised Tender Forms**



## Letter of Bid

Date: \_\_\_\_\_  
ICB No.: \_\_\_\_\_  
Invitation for Bid No.: \_\_\_\_\_  
Alternative No.: \_\_\_\_\_

To: THE CHIEF EXECUTIVE,  
TANZANIA NATIONAL ROADS AGENCY,  
P.O. Box 11364,  
DAR ES SALAAM,  
TANZANIA.

We, the undersigned, declare that:

- (a) We have examined and have no reservations to the Bidding Documents, including Addenda issued in accordance with Instructions to Bidders (ITB 8) \_\_\_\_\_;
- (b) We meet the eligibility requirements and have no conflict of interest in accordance with ITB 4;
- (c) We have not been suspended nor declared ineligible by the Employer based on execution of a Bid Securing Declaration in the Employer's country in accordance with ITB 4.6.
- (d) We offer to execute in conformity with the Bidding Documents the following Works: \_\_\_\_\_  
\_\_\_\_\_;
- (e) The total price of our Bid, excluding any discounts offered in item (f) below is:  
*[Amount in words: .....], [Amount in figures: .....]*
- (f) The discounts offered and the methodology for their application are:
- i) The discounts offered are: \_\_\_\_\_
- ii) The exact method of calculations to determine the net price after application of discounts is shown below:  
\_\_\_\_\_  
\_\_\_\_\_;

- (g) Our bid shall be valid for a period of ..... days from the date fixed for the bid submission deadline in accordance with the Bidding Documents, and it shall remain binding upon us and may be accepted at any time before the expiration of that period;
- (h) If our bid is accepted, we commit to obtain a performance security in accordance with the Bidding Documents;
- (i) We are not participating, as a Bidder or as a subcontractor, in more than one bid in this bidding process in accordance with ITB 4.2(e), other than alternative bids submitted in accordance with ITB 13;
- (j) We, including any of our subcontractors or suppliers for any part of the contract, have not been declared ineligible by the Bank, under the Employer's country laws or official regulations or by an act of compliance with a decision of the United Nations Security Council;
- (k) We are not a government owned entity/ We are a government owned entity but meet the requirements of ITB 4.5;<sup>1</sup>
- (l) We have paid, or will pay the following commissions, gratuities, or fees with respect to the bidding process or execution of the Contract:

Name of Recipient	Address	Reason	Amount
_____	_____	_____	_____
_____	_____	_____	_____
_____	_____	_____	_____
_____	_____	_____	_____

(If none has been paid or is to be paid, indicate "none.")

- (m) We understand that this bid, together with your written acceptance thereof included in your notification of award, shall constitute a binding contract between us, until a formal contract is prepared and executed; and
- (n) We understand that you are not bound to accept the lowest evaluated bid or any other bid that you may receive.
- (o) We hereby certify that we have taken steps to ensure that no person acting for us or on our behalf will engage in any type of fraud and corruption.

\_\_\_\_\_

<sup>1</sup> Bidder to use as appropriate.

Section IV. Bidding Forms

Name of the Bidder\* \_\_\_\_\_

Name of the person duly authorized to sign the Bid on behalf of the Bidder\*\* \_\_\_\_\_

Title of the person signing the Bid \_\_\_\_\_

Signature of the person named above \_\_\_\_\_

Date signed \_\_\_\_\_ day of \_\_\_\_\_,

\*: In the case of the Bid submitted by joint venture specify the name of the Joint Venture as Bidder.

\*\* : Person signing the Bid shall have the power of attorney given by the Bidder to be attached with the Bid.

## APPENDIX TO BID

### Schedule of Adjustment Data

[In Tables A, B, and C, below, the Bidder shall (a) indicate its amount of local currency payment, (b) indicate its proposed source and base values of indices for the different foreign currency elements of cost, (c) derive its proposed weightings for local and foreign currency payment, and (d) list the exchange rates used in the currency conversion. In the case of very large and/or complex works contracts, it may be necessary to specify several families of price adjustment formulae corresponding to the different works involved.]

**Table A. Local Currency [NOT APPLICABLE]**

Index code*	Index description*	Source of index*	Base value and date*	Bidder's related currency amount	Bidder's proposed weighting
	Nonadjustable	—	—	—	A: 0.20* B: _____* C: _____* D: _____* E: _____*
<b>Total</b>					<b>1.00</b>

[\* To be entered by the Employer. Whereas "A" should a fixed percentage, B, C, D and E should specify a range of values and the Bidder will be required to specify a value within the range such that the total weighting = 1.00]

**Table B. Foreign Currency (FC) [NOT APPLICABLE]**

**State type:** ..... [If the Bidder is allowed to receive payment in foreign currencies this table shall be used. If Bidder wishes to quote in more than one foreign currency (up to three currencies permitted) then this table should be repeated for each foreign currency.]

Index code	Index description	Source of index	Base value and date	Bidder's related source currency in type/amount	Equivalent in FC1	Bidder's proposed weighting
	Nonadjustable	—	—	—		A: 0.20* B: _____ * - C: _____ * - D: _____ * - E: _____ * -
<b>Total</b>						<b>1.00</b>

[\* To be entered by the Employer. Whereas "A" should a fixed percentage, B, C, D and E should specify a range of values and the Bidder will be required to specify a value within the range such that the total weighting = 1.00]

**Table C. Summary of Payment Currencies  
Alternative A**

Name of payment currency	A Amount of currency	B Rate of exchange (local currency per unit of foreign)	C Local currency equivalent C = A x B	D Percentage of Total Bid Price (TBP) $\frac{100 \times C}{TBP}$
Local currency		1.00		
Foreign currency #1				
Foreign currency #2				
Foreign currency #				
Total Bid Price				100.00
Provisional sums expressed in local currency				
TOTAL BID PRICE (including provisional sum)				

**Table C. Summary of Payment Currencies**  
**Alternative B [NOT APPLICABLE]**

*To be used only with Alternative B Prices directly quoted in the currencies of payment.*  
*(Clause ITB 15.1)*

Summary of currencies of the bid for \_\_\_\_\_ *[insert name of Section of the Works]*

<i>Name of currency</i>	<i>Amounts payable</i>
Local currency: _____	
Foreign currency #1: _____	
Foreign currency #2: _____	
Foreign currency #3: _____	
Provisional sums expressed in local currency	