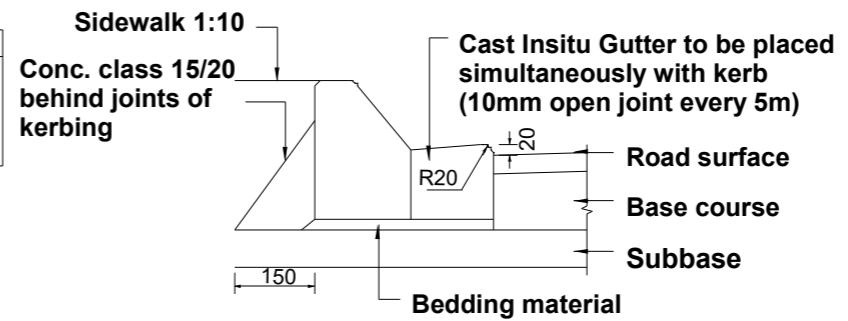
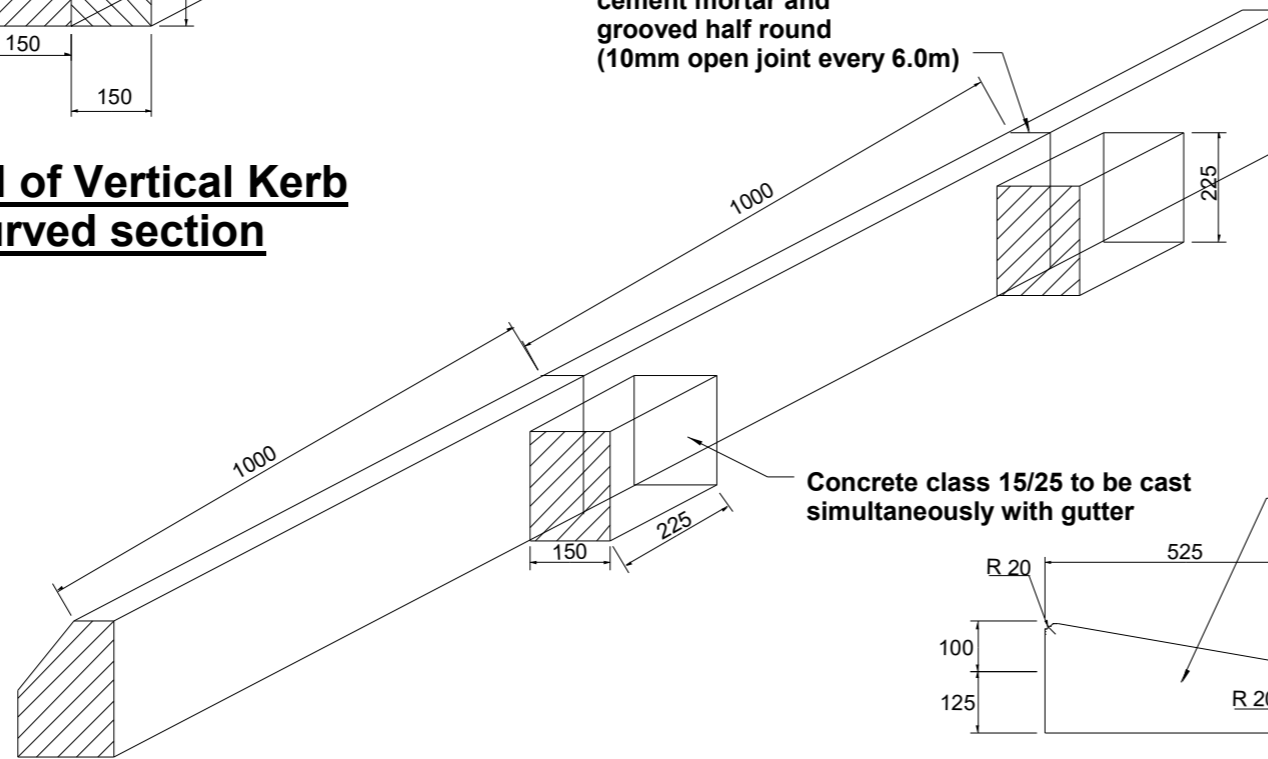


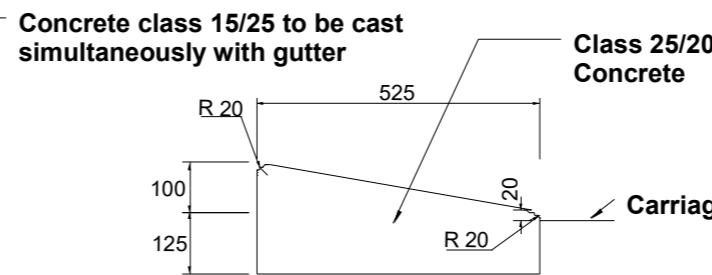
Detail of Vertical Kerb on curved section



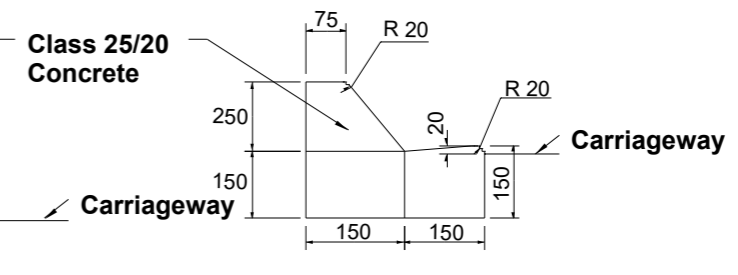
Typical placement detail of kerbing



Detail of Vertical Kerb (straight section)





Mounted Kerb Type 3 (In situ)



Semi-mounted Kerb & Channel Combination (Type 1 & 2 Kerbstone Combination)

Detail of Kerbing

CLIENT:  THE UNITED REPUBLIC OF TANZANIA TANZANIA NATIONAL ROADS AGENCY CHIEF EXECUTIVE OFFICER P.O.BOX 11364 DAR ES SALAAM	APPROVED:	CONSULTING ENGINEER:  Howard Humphreys Consulting Engineers Plot 1120 Chole Road P.O. Box 2555 Dar es Salaam Tel: +255 22 2600545/677 Fax: +255 22 2600158	DESIGNED: S.A. MUSHI	PROJECT: CONSTRUCTION OF ONE STOP INSPECTION STATION (OSIS) AT VIGWAZA ON THE DAR ES SALAAM CORRIDOR DRAWING TITLE: KERBSTONES DETAILS	REV.	DESCRIPTION	DATE	
	PROJECT ENGINEER:		DRAWN: S.A. MUSHI		CHECKED: I. SHAYO	DATE: DECEMBER 2017	DRG No. T478-CE-RD-SD-06	SCALE: N.T.S
	CHIEF EXECUTIVE:		APPROVED: I. SHAYO		DATE: DECEMBER 2017	DRG No. T478-CE-RD-SD-06	SCALE: N.T.S	